

LED MODULES

SA 4 LED(5050) RGB

Features

- Lighting source adopt SMD5050 LED
- Constant voltage & Reverse Protection Circuit
- Compatible.
- Injection craft with good protect effect
- Low power consumption, high brightness, and long service life
- Approved CE, RoHS certificates, fire rating UL94 V-0 test.
- 5Years Warranty

Specification

Item Code	Power(W)	Current Dissipation(A)	Luminous Flux(lm)	CCT(K)
SA 6497	1.44W	0.12A	94 lm	R : 620-630 G : 520-530 B : 465-473 W : 29

Technical Characteristics

Voltage	DC12V
Efficiency	64 lm/W
IP Rating	IP65
Viewing Angle	120°
Colour	RGB
LED Type	5050 LED

Certification



Temperature Ranges

Operating temperature	-25~60°
Storage temperature	-25~70°

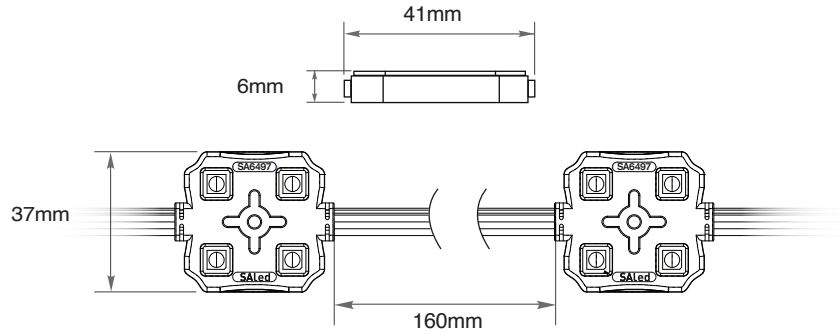
Warranty

Warranty	5 Years
----------	---------

Physical Characteristics

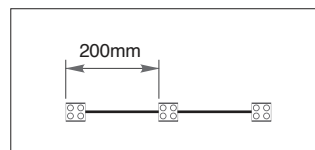
Dimensions(W*H*D)	41*37*6mm
Weight	11.20g

Profile Drawings

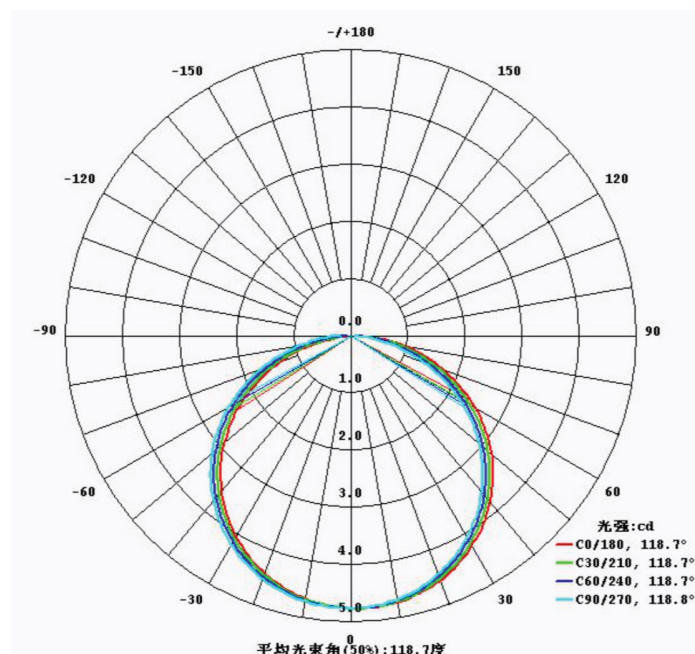


Module Layout Guides

4LED



Luminous intensity distribution diagram



Max in series 50 EA

